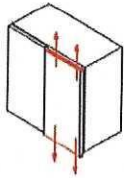


HINGE ADJUSTMENTS

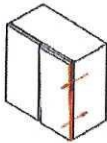
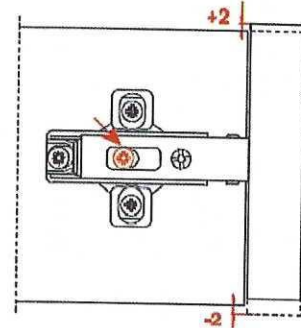
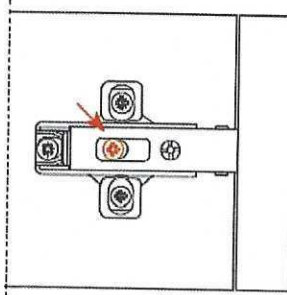
It is not necessary to loosen or re-tighten any adjustment screw. Just turn and go.

For best results, a posi drive screw driver is recommended.



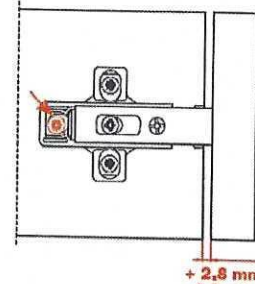
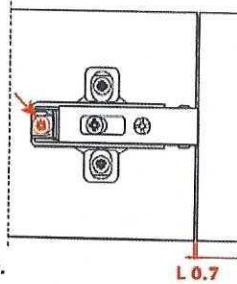
+2 mm
- 2 mm

Height adjustment by cam

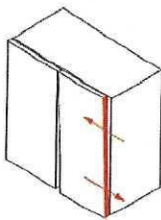


+2.8 mm
- 0.5 mm

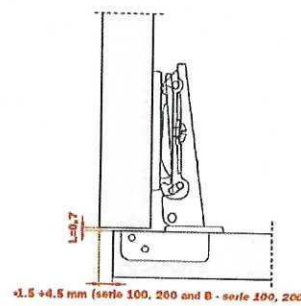
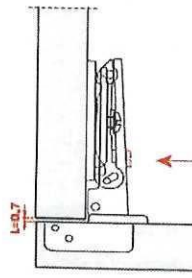
Depth adjustment by cam.
Regulación frontal mediante excéntrico.



+ 2.8 mm
- 0.5 mm



Left and right adjustment by cam



+1.5 +4.5 mm (serie 100, 200 and B - serie 100, 200)

SALICE

QUALITY THAT LASTS A LIFETIME

www.saliceamerica.com

* Series 200 hinge with BARXR mounting plate